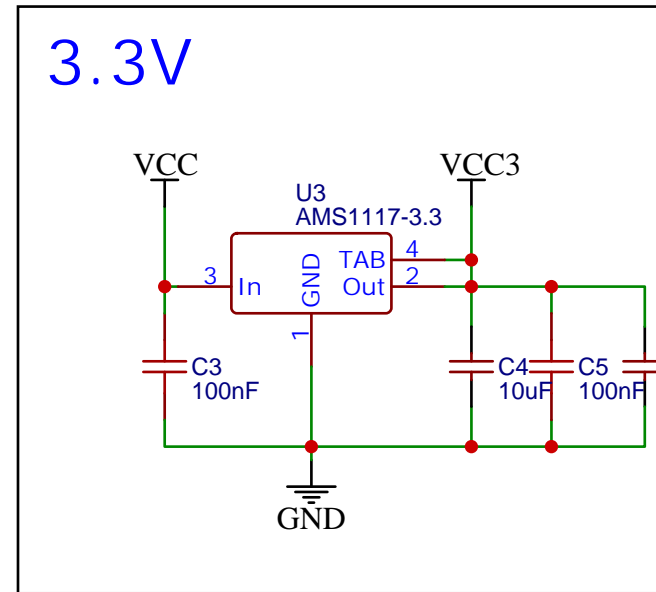
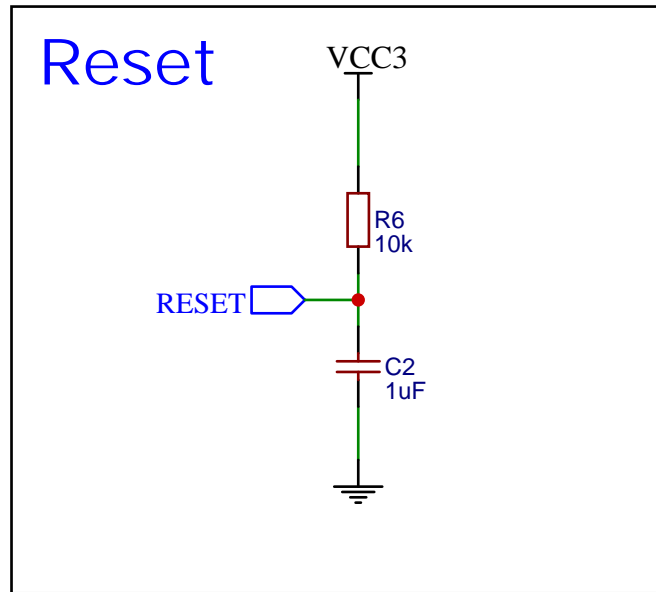
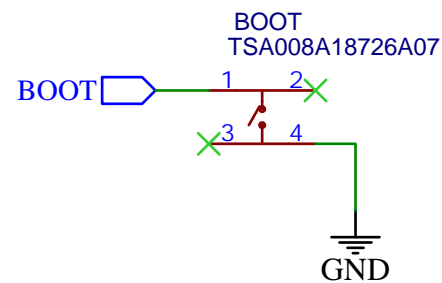
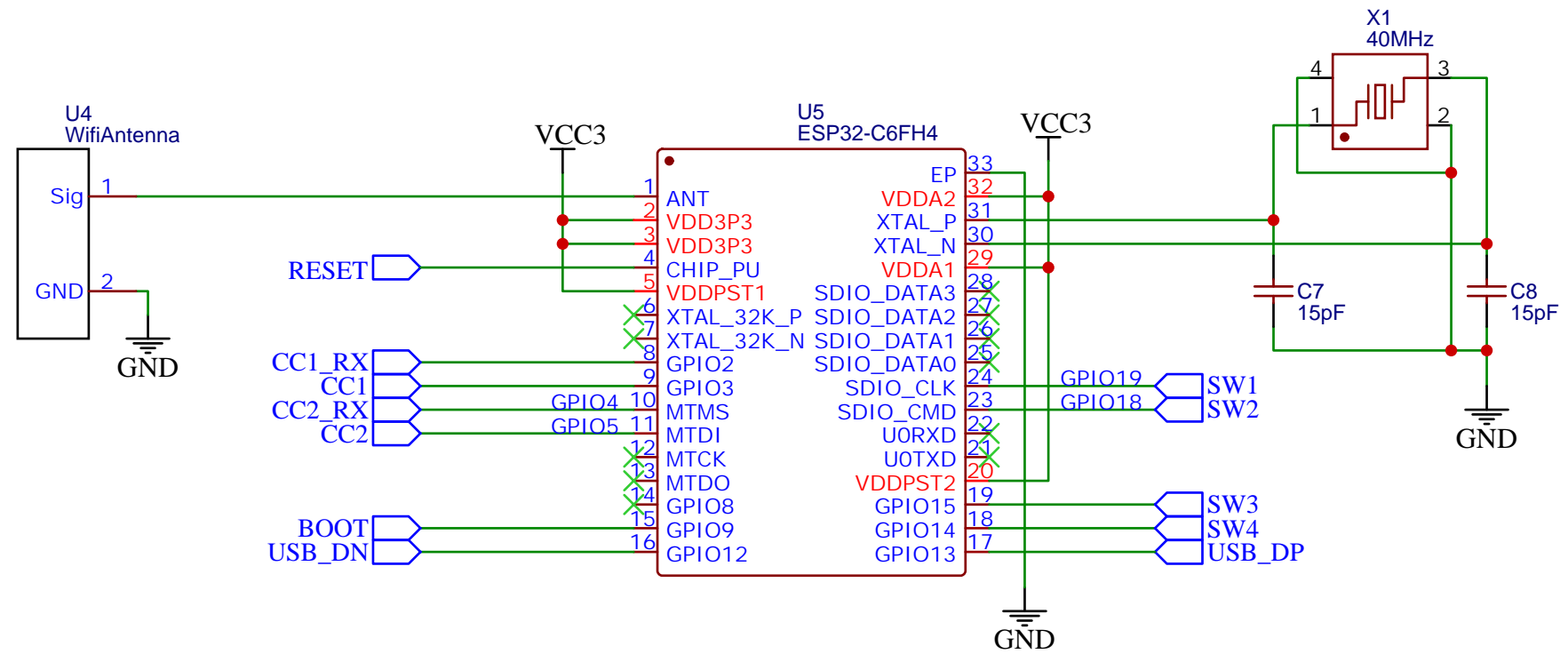


TITLE: USB C / PD		REV: 2.0
Company: g3gg0.de		Sheet: 1/1
Date: 2024-12-01	Drawn By: g3gg0.de	

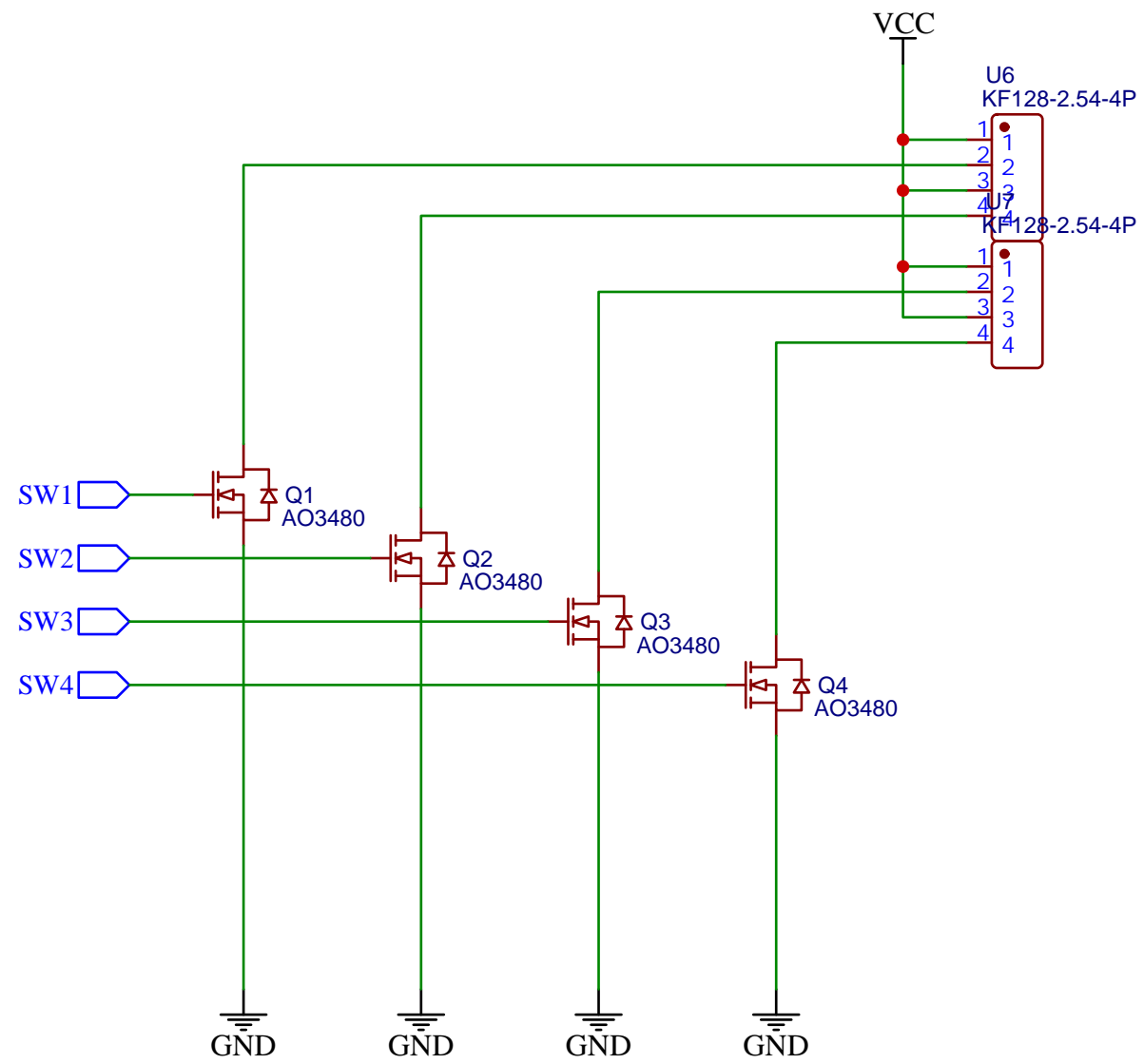


ESP32-C6 strapping pins

- GPIO8 - floating - ROM messages
- GPIO9 - weak PU - Boot mode
- GPIO15 - floating - JTAG source



TITLE: ESP32-C6 Zigbee Switch		REV: 2.0
Company: g3gg0.de		Sheet: 1/1
Date: 2024-12-01	Drawn By: g3gg0.de	



TITLE: Output MOSFETs		REV: 2.0
Company: g3gg0.de		Sheet: 1/1
Date: 2024-12-01	Drawn By: g3gg0.de	